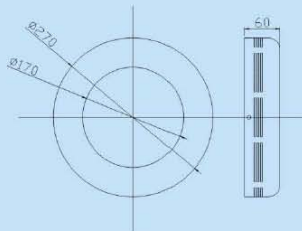


90W UFO LED Grow Light

Product Advantage

1. 90W 1w led grow light produce great effect as 400W to 600W HID grow light save 75%--85% on electricity.
2. Lifetime reaches 50,000 hours.
3. Built-in cooling system (thermostatically controlled fans) solve the heat dissipation excellently
4. Built-in power supply, CE approved, No setup required, just simpler and safer plugs directly into AC120V/220V, no reflector & ballast needed.
5. Environment-friendly: Don't contain the harmful substance HPS & MH have, much less hazardous waste to deal with.
6. Ideal for all phases of plant growth, and works well with any indoor garden, whether hydroponics or soil based.
7. Now available with 660nm, Red is good for flowering, budding and blue is good for vegetative and, you can choose the wavelength and color ratio which is most suitable for your plant growth.
8. The lighting area and height above the plant can be changed according to different plants and environment, and also technical parameters are changed.
9. Application: Hydroponics & Horticulture & Greenhouse Lighting, Seeding/Seedling/Breeding, Farm/Flower Exhibition/Garden/Bonsai etc

Product Pictures



Product Application



Technical Specifications

- Power Factor(PF):>0.97
- Total Harmonic Distortion:<15%
- The number of LED:90pcs
- Normal Wavelength: Blue 450~460nm Red 620~630nm,660nm.
Ratio:8(Red):1(Blue)
The ratio can be changed according to your special requirements.

Power	Voltage	Input Current	Work Frequency	Color	Lumens	Package Size	GW
90W	90-265V	Max0.9A	50/60Hz	Red/Blue	2400lm	310x310x135 mm	2.7kg

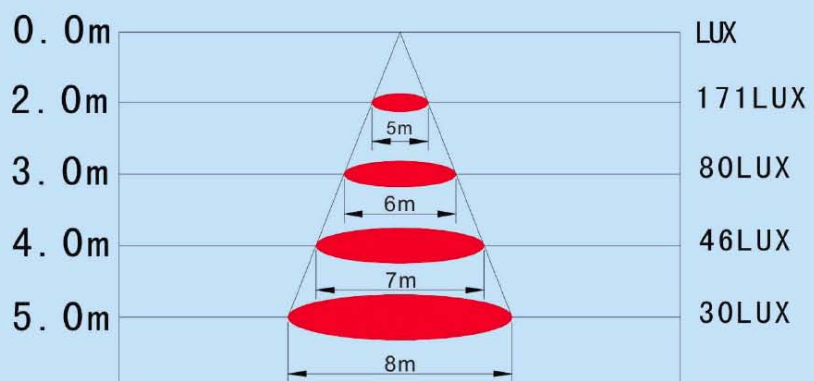
Parameter Comparison

Input power convert to	LED Grow Light	Incandescent Lamp	Fluorescent Lamp	Metal Halide
Visible light radiation energy	10%-12%	5%	23%	27%
Infrared radiation energy	0%	90%	36%	17%
UV radiation energy	0%	0%	0%	19%
Physiological effective energy	10%-12%	≤0.1%	≤1%	≤0.5%
Value	Most Suitable	Not Most Suitable	Not More Suitable	Not Suitable

Lux Parameter

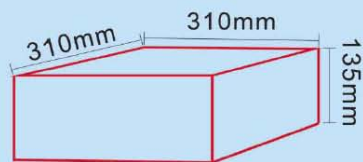
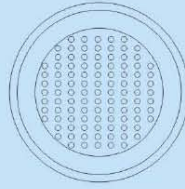
LED Grow Light

Edge Lux: 10 lux

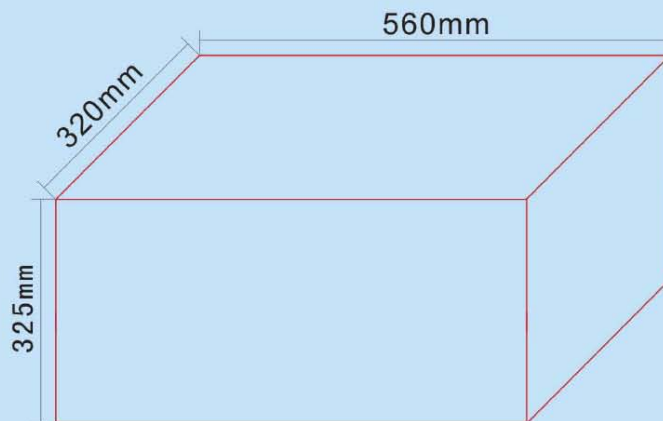


Package

NW:2.314kg



Qty:1PCS GW:2.70kg



Qty:4PCS GW:11.686kg

Yhteystiedot: Puh: 040-7550615 / Pekka Timonen

Email: pekka.timonen@mail.suomi.net